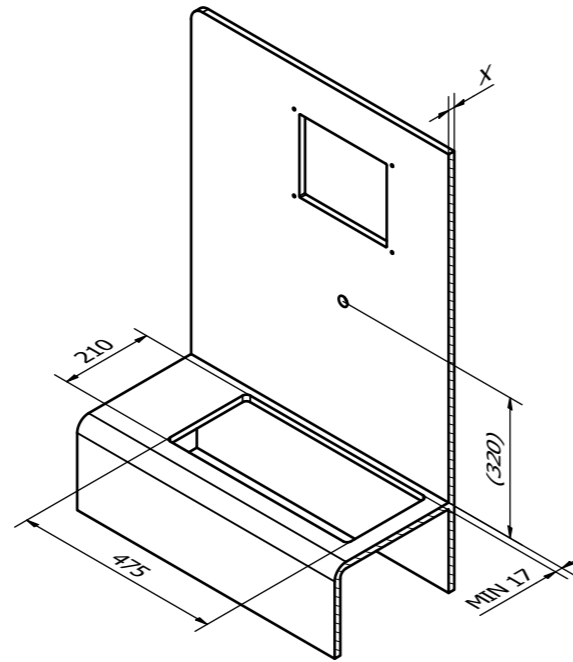


THE WALL

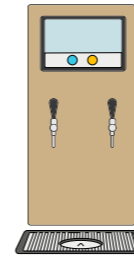
Kit mounting



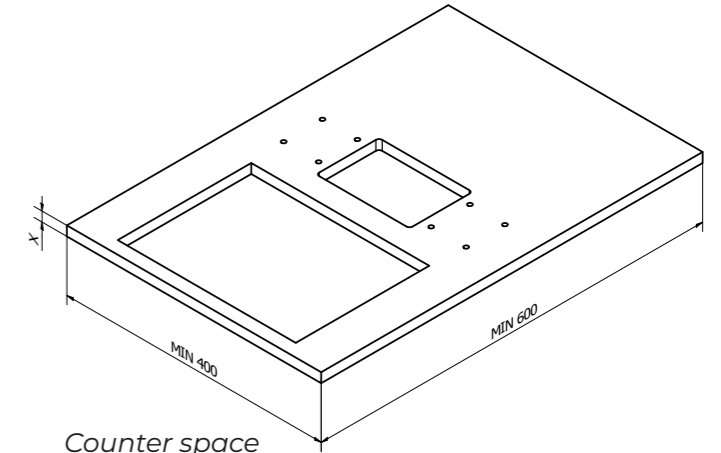
Counter space requirements

THE WALL

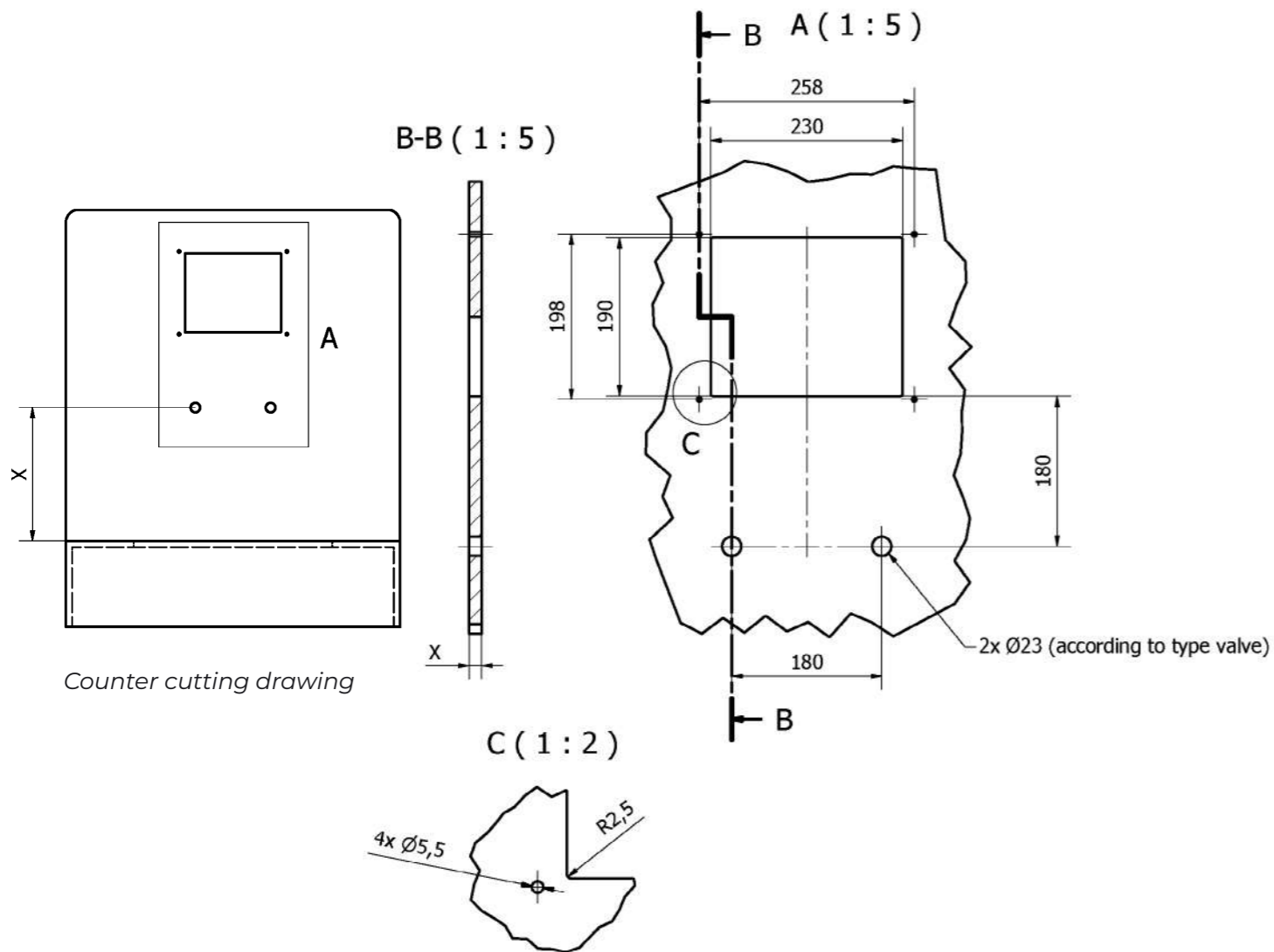
Countertop mounting



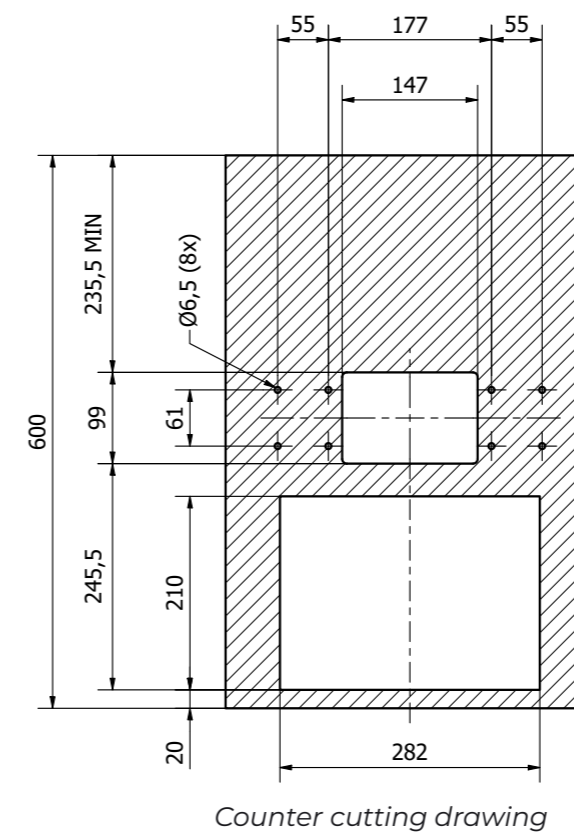
If The Wall Countertop has 3 taps, a larger tray will be needed (type ETS-2).



Counter space requirements



For 1 or 2 taps with a tray type ETS-1.



For 3 taps with a tray type ETS-2.

