

NEO

Tabletop postmix digital dispenser




Connected equipment
to Loop³⁶⁰ Analytics



Main features

- ✔ **Small footprint**
538 mm depth
- ✔ **Tabletop dispenser**
with integrated cooler and carbonation
- ✔ **Adaptable syrup/water**
(ratio up to 1:10)
- ✔ **Ratios up to 1:100 highly concentrated aromas***
- ✔ **12" touch screen**
- ✔ **Customizable portions and prices**

*Possible to adjust technology accordingly to beverage maker products specifications and push to 1:200 (custom development)

Technical features

- ✔ **Physical data**
height: 568 mm
width: 629 mm
depth: 538 mm
dispense height cup-holder: 140 mm
dispense height tray: 236 mm
waterbath capacity: 9 L
dry weight: 52 kg
operating weight: 66 kg
noise level: <70 dB (A)
- ✔ **Water pressure & CO₂**
H₂O min: 1.5 Bar
H₂O max: 3.5 Bar
CO₂ min: 4 Bar
CO₂ max: 4.5 Bar
- ✔ **Carbonation system**
carbonator pump:
454 L/h brass rotary vane
carbonator pump motor:
150 W induction motor 1400 RPM
carbonator bowl fill rate:
nominal 3.0 L/min @ 5.5 Bar CO₂ pressure
carbonator bowl reserve: 0.6 L

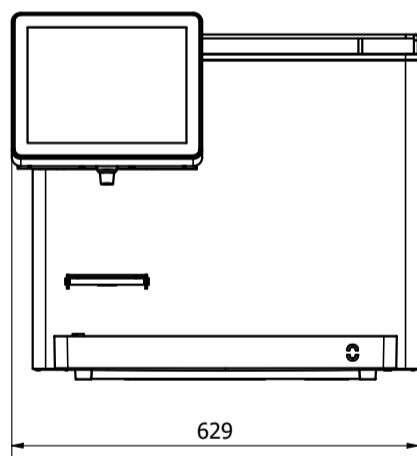
Main benefits

- ✔ **6 flavours in Bag-in-Box**
(ratio up to 1:10)
- ✔ **4 add-ons option with aroma dosing technology**
(ratios up to 1:100 highly concentrated aromas)*
- ✔ **Unlimited** custom recipes
- ✔ Throughput **80 drinks per hour****
- ✔ **Self-payment** ready
- ✔ **Remote monitoring**
- ✔ **Video content** management

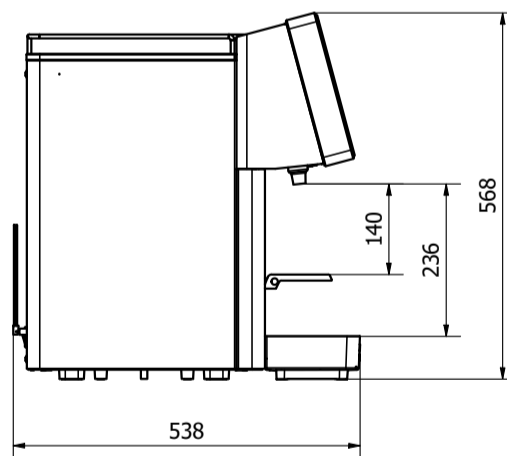
**In ideal conditions:
ambient operating temperature = 24°C
syrup storage temperature = 24°C
water in temperature = 16°C

- ✔ **Electrical data**
mains voltage:
male plug type F / type J
100-240 V
frequency: 50 Hz
current: 3.5 A
power: 660 W
fuse rating and prise:
10 A 20 mm HRC
- ✔ **Refrigeration**
duty @ -10°C evaporation: 250 W
refrigerant: R290
refrigerant charge: 75 g
- ✔ **System protection**
compressor/carbonator pump
/recirculation pump/agitator:
self resetting thermal trip
carbonation system:
carb pump time out - 4 mins

Dimensions



Front view

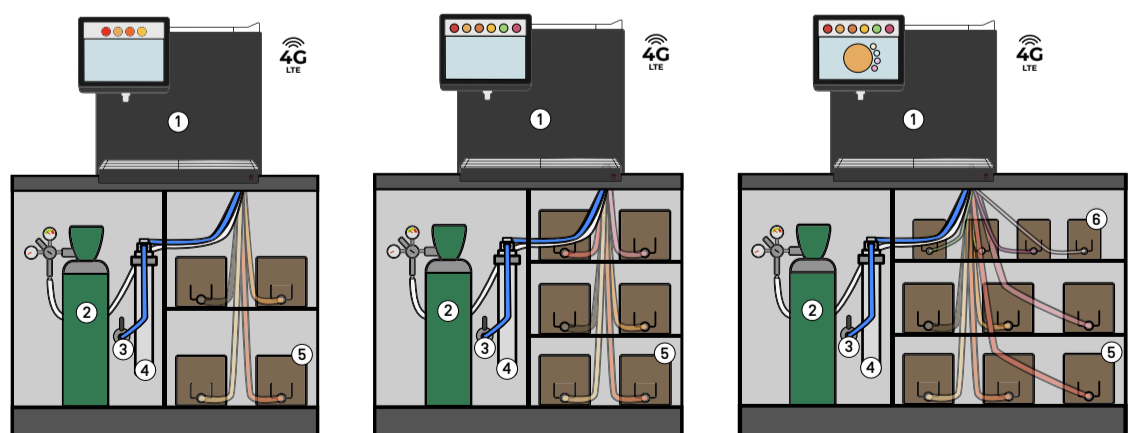


Lateral left view

Back room requirements

The Bag-in-Boxes must be stored below or at the same level as the dispensing unit, and **within 2 meters** of it.

Minimum space requirements
Non-contractual layout



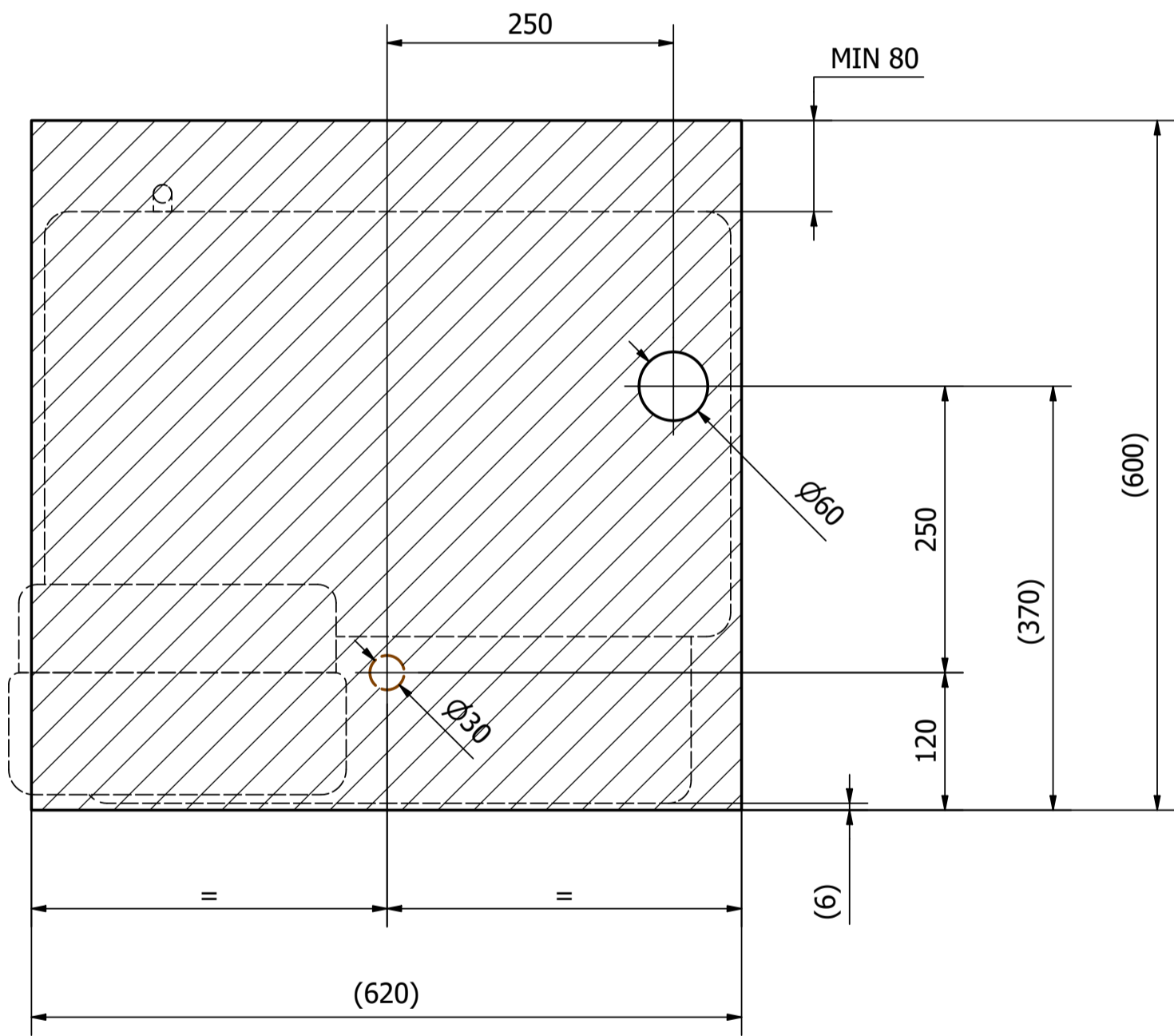
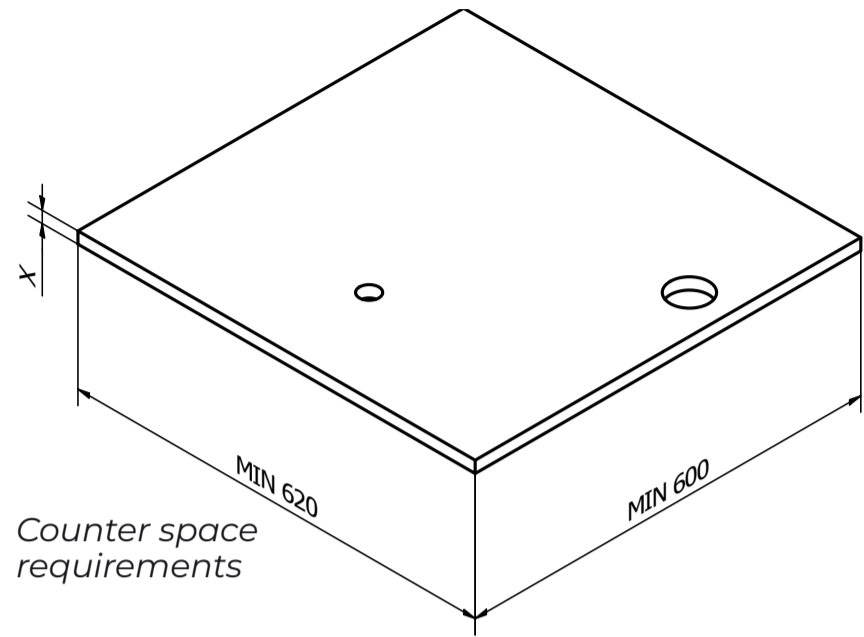
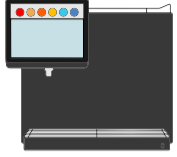
NEO 4 postmix flavours

NEO 6 postmix flavours

NEO 6 postmix flavours with aroma dosing technology

- 1 - NEO
- 2 - CO₂ bottle
- 3 - Water inlet
- 4 - Water filter
- 5 - Postmix Bag-in-Boxes
- 6 - Aroma add-ons

NEO



Counter cutting drawing



Cashless & Self-Pay Integration

Transform your Drinkotec free dispensing systems into a **cashless self-service unit**.

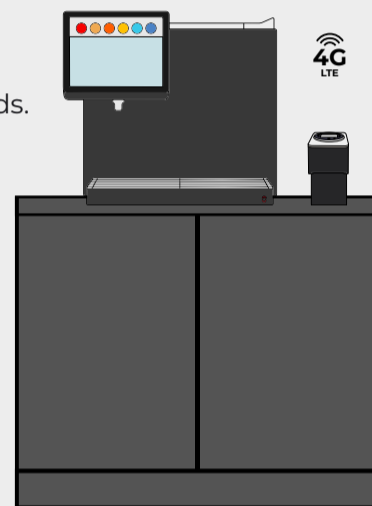
Choose your **payment method**.
One integration possibility per product.

- ✓ Credit card*
- ✓ QR code
- ✓ Employee badge (RFID/NFC)
- ✓ Remotely switch between free-dispensing or self-payment



*Direct payment with major credit & debit cards.

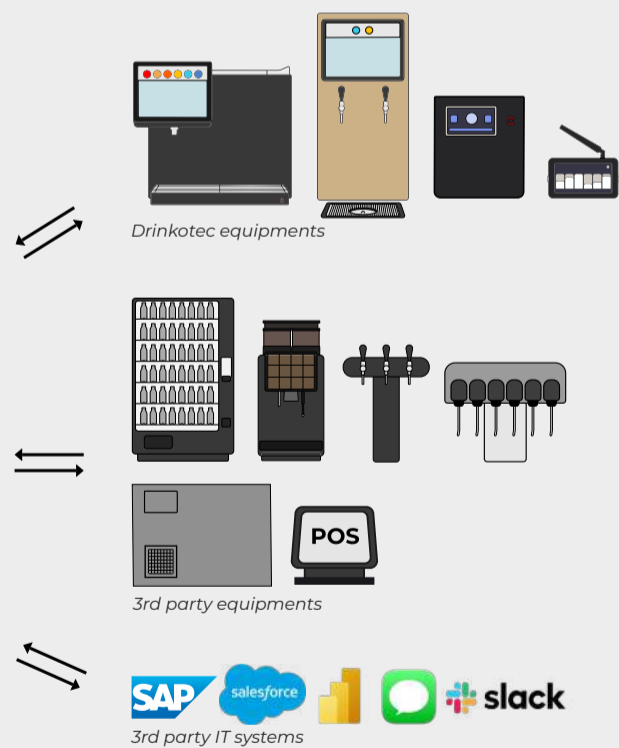
**Contact us to know if your card management system is already integrated. The integration of a new management system is possible on demand.



NEO Self-Pay Integration



Receive analytics alerts and notifications from your connected devices. Automate your workflows and beverage operations for better profit and less waste.



For more information, please contact us either by telephone (+41 22 994 21 21) or by e-mail (info@drinkotec.ch).



DRINKOTEC

Drinkotec Sàrl - CH 1260 Nyon
+41 22 994 21 21 - www.drinkotec.ch



Find all details on our website
www.drinkotec.ch/data-privacy